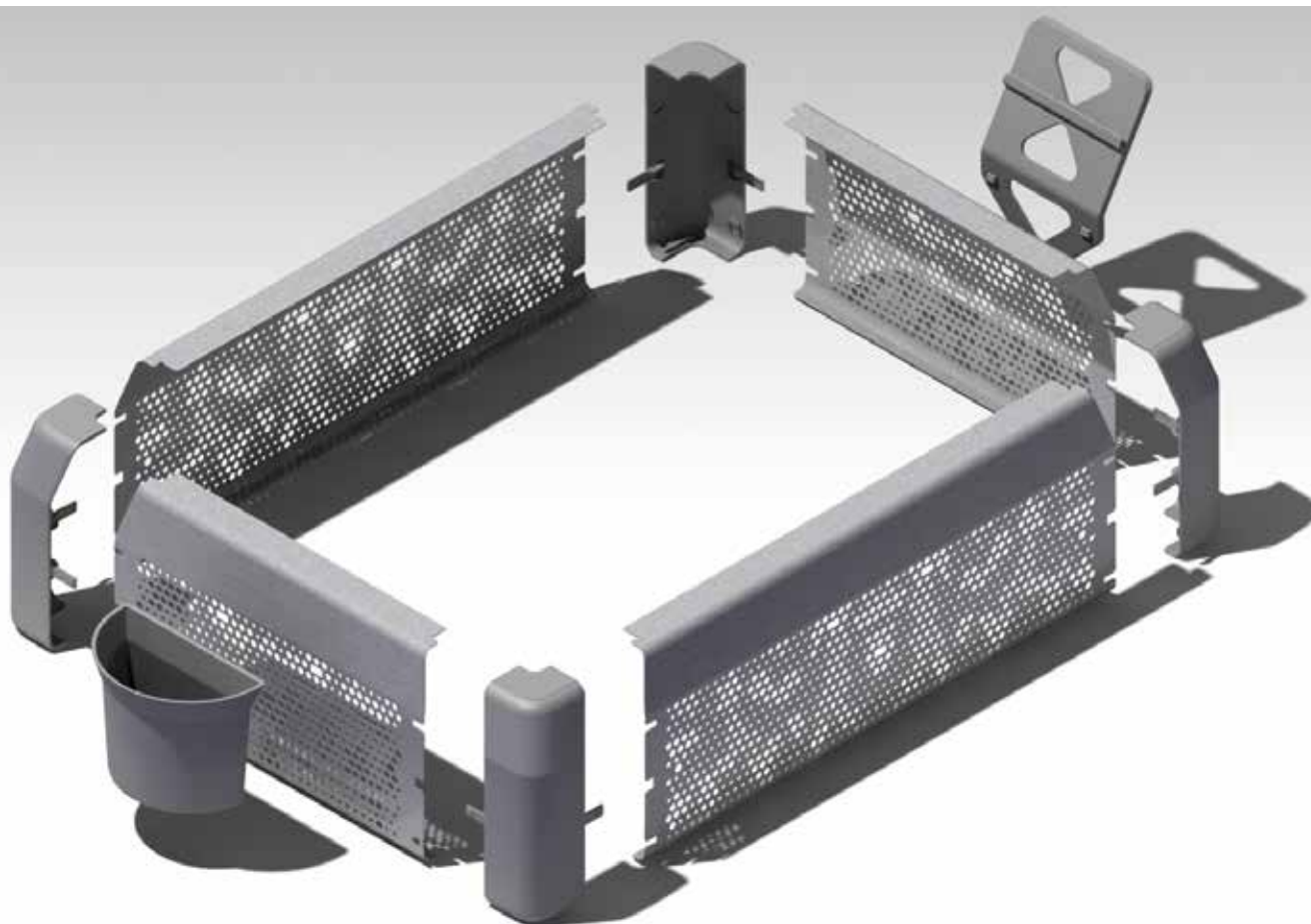




Instructions for Use and Assembly

For the Chafing Cover by Chefing Cuisine®.

Model: Chafing Cover CC01 – The Original



Instructions for Use



1. General Information

Before using the product, it is important to read and understand this manual carefully. The term »device« or »product« in the warnings and this manual refers to the Chafing Cover.




This manual helps you to use the device safely and effectively. The product has been developed and manufactured according to technical standards and using the latest technologies and components.

2. Safety Instructions

Important:

Please read all safety instructions and guidelines carefully. Failure to do so may result in serious injury. Before using the device, it is important to read and understand this manual thoroughly.

Although the device is equipped with appropriate safety features, there is always a slight risk of accidents or injuries when using it. Therefore, use the device cautiously and sensibly.

| | |
|---|--|
|  | Before use, it is necessary to familiarize yourself with the instructions. |
|  | WARNING! To describe the respective situations (general warning symbol). |
|  | The product is intended to come into contact with food. |

Instructions for Use



3 • Usage Instructions

The product is intended for covering commercially available 1/1GN chafing dish models and is not suitable for keeping food warm, defrosting frozen products or cooking. The user is responsible for all damage caused by improper use.



Warning!

The operating and assembly instructions for the chafing dish models used by other manufacturers remain unchanged. Please follow the manufacturer's instructions for safe use.

We accept no liability for deviations from these instructions.

4 • Preparation for Commissioning



Warning!

The device must be kept away from hot surfaces and always placed on a stable, clean, fireproof and dry surface. All parts should be cleaned before first use.

5 • Operating the Device



Warning!

Assembly and disassembly should be carried out on a flat, clean surface with sufficient space. Do not place heavy or hot objects on the product. The device is intended exclusively for the use specified in Section 3.

6 • Cleaning and Maintenance

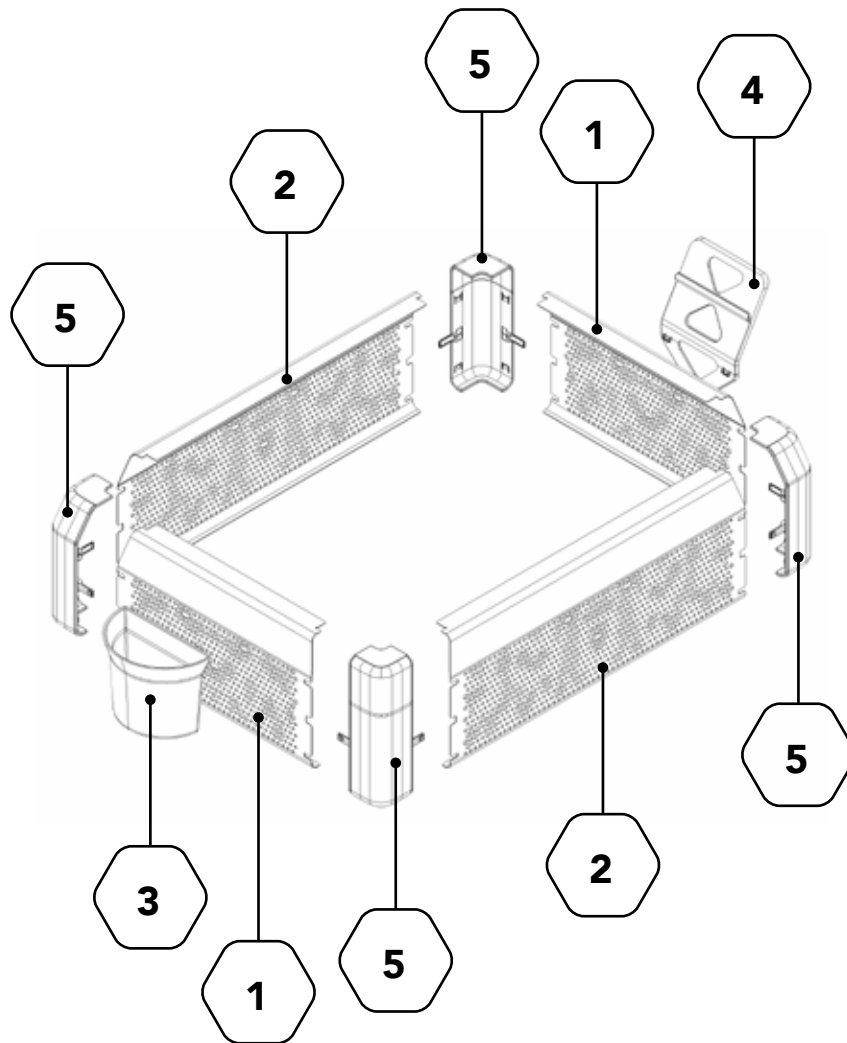
- 6.1 Before use, remove the protective film and clean all parts.
- 6.2 To clean the device, use only mild cleaning agents intended for surfaces that come into contact with food.
- 6.3 Using acidic substances, medical solvents, thinners, fuels, oils or other chemicals to clean the device can cause damages.
- 6.4 Use a soft cloth for cleaning..
- 6.5 After cleaning, dry all components thoroughly before using the device again.
- 6.6 Allow the device to cool down completely before cleaning, adjusting or replacing parts.
- 6.7 Store the device in a dry place.
- 6.8 Before each use, check the device for possible damage.
- 6.9 Do not use sharp or metallic objects (such as wire brushes or metal scrapers) as these can damage the surface of the device.

Assembly Instructions



Parts List

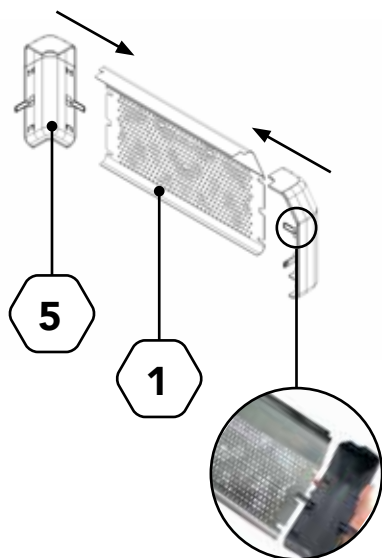
| Item-ID | Item Description | Item Nuber | Quantity |
|---------|------------------|------------|----------|
| ① | Front Panel | 9910 | 2 |
| ② | Side Panel | 9920 | 2 |
| ③ | Cup | 9930 | 1 |
| ④ | Clip | 9940 | 1 |
| ⑤ | Corner | 9950 | 4 |



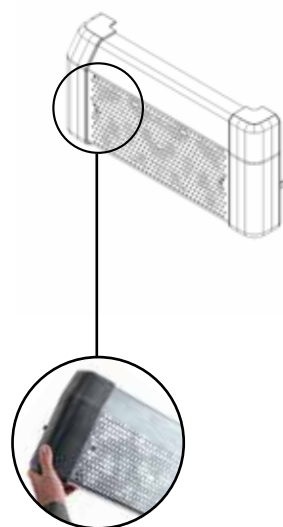
Assembly



1. Attach two corner elements to one front panel.

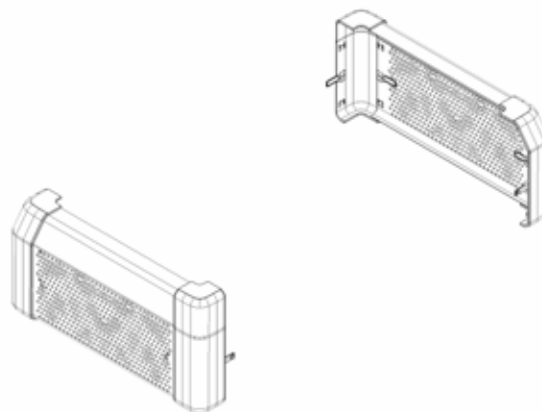
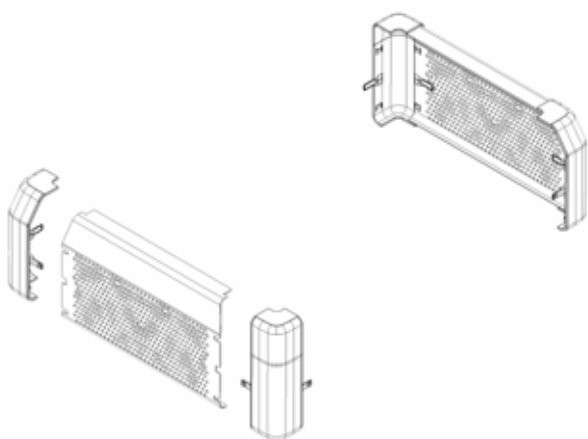


For proper assembly, the inside of the corner and the inside of the panel must face you.



The locking buttons on the corner elements must snap into the corresponding holes in the panel.

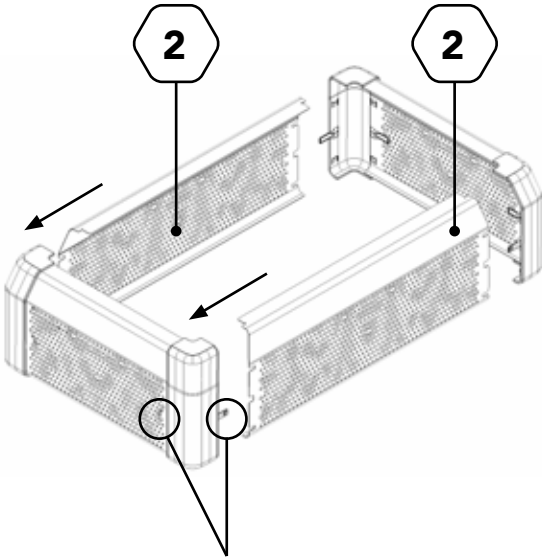
2. Proceed in the same manner with the second front panel.



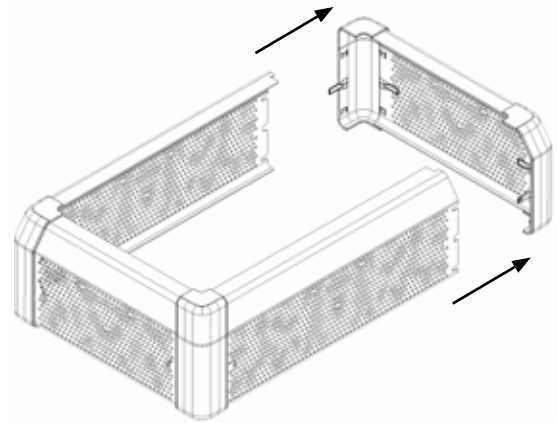
Assembly



3. Connect the side panels to the front panels.

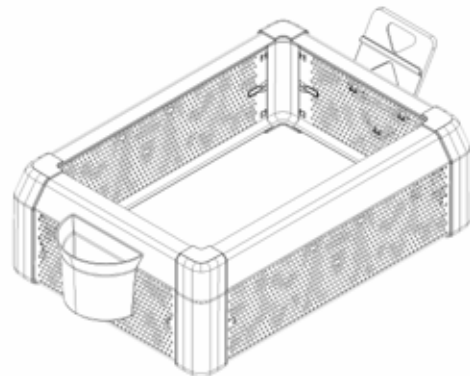
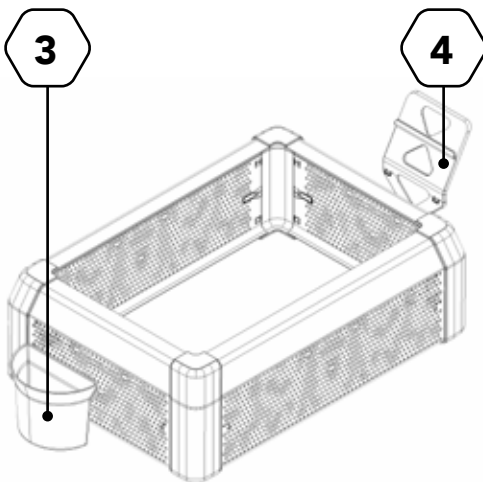


The locking buttons on the corner elements must snap into the corresponding holes in the panel.



The locking buttons on the corner elements must snap into the corresponding holes in the panel.

4. Attach accessories.

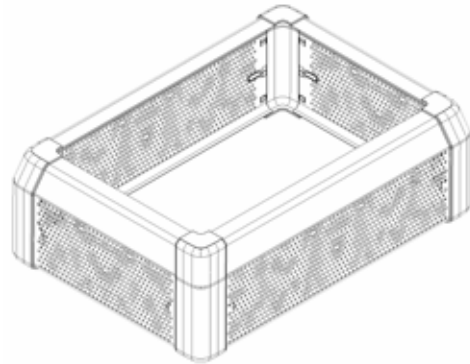
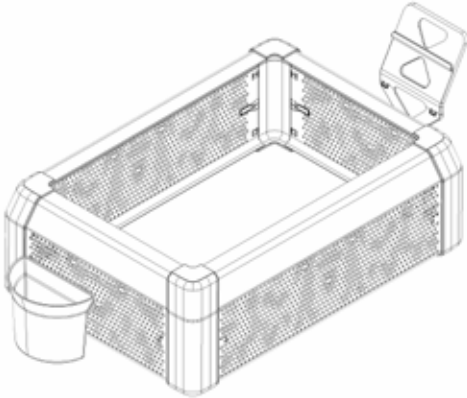


Each panel has recesses to accommodate the adapter elements. Accessories can fit on the side and front panels.

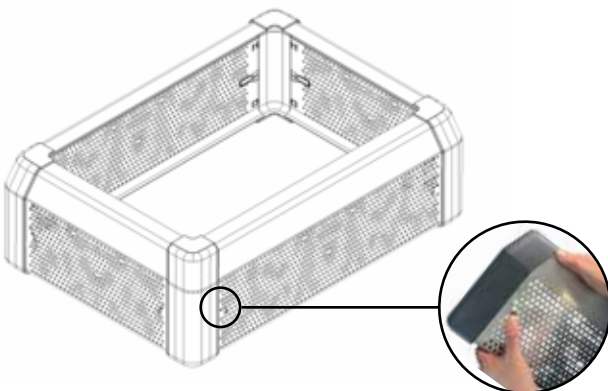
Disassembly



1. Remove accessories.

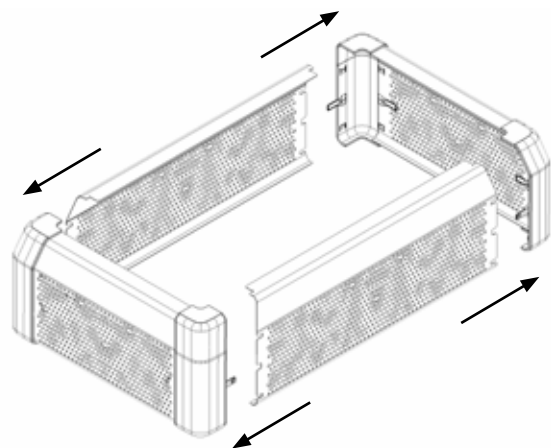


2. Detach the front panels from the side panels.



Important!

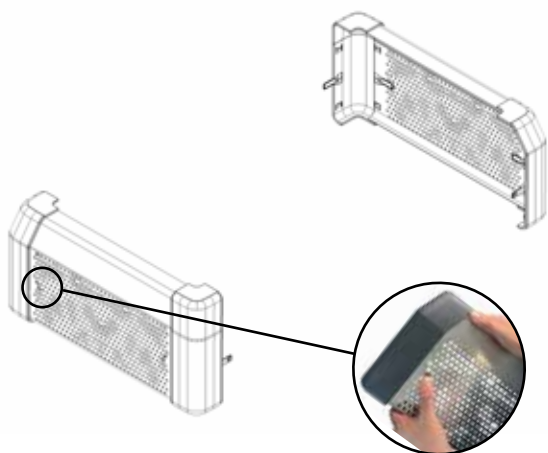
The locking button that connects the corner to the panel is pressed in with the thumb. Then, the corner can be detached from the panel using the other thumb. Repeat this process for all corners.



Disassembly

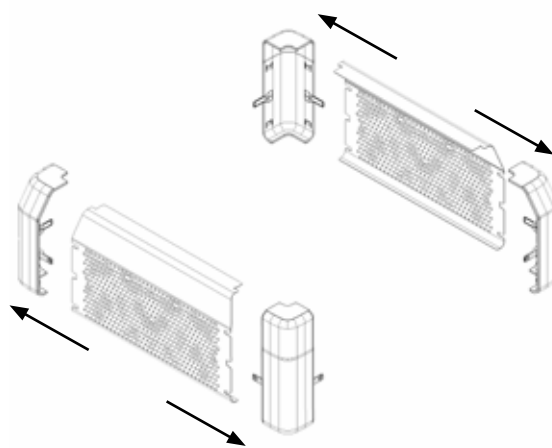


3. Detach the corner elements from the front panels.



Important!

Here too, press the locking button that connects the corner and panel with your thumb and slide the corner off the panel. Repeat this process for all corners.



Chefing Cuisine®
By professionals, for professionals.

MS Betreibergesellschaft mbH
Flidnerstraße 33 a
40878 Ratingen

Tel. +49 2102 8495518
post@chefing-cuisine.de
www.chefing-cuisine.de

